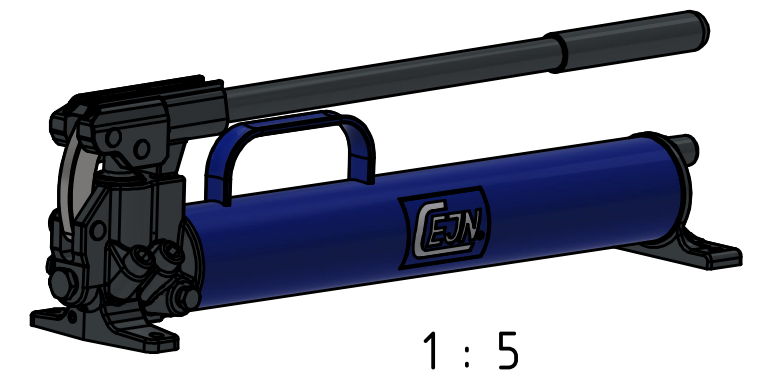
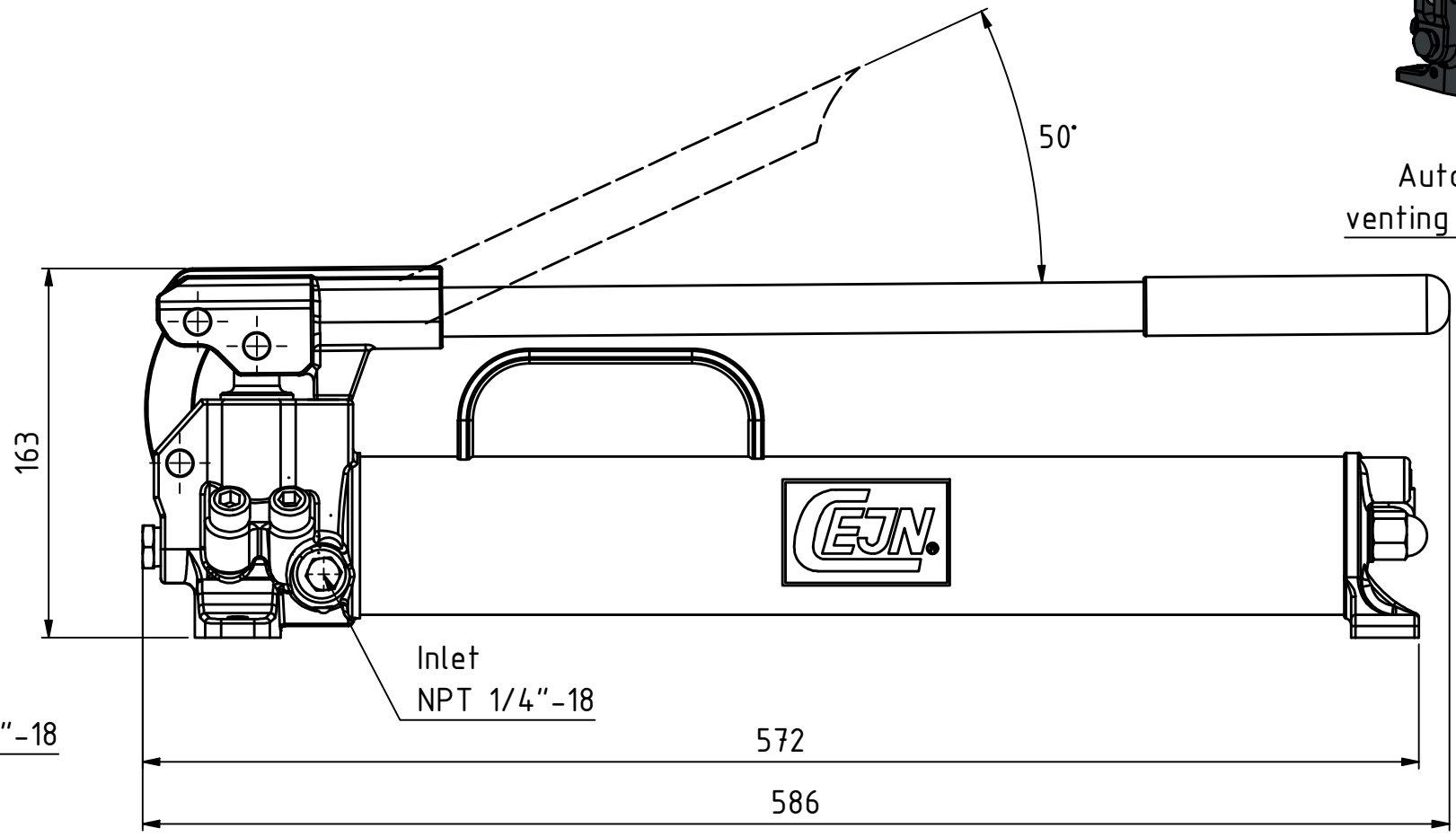
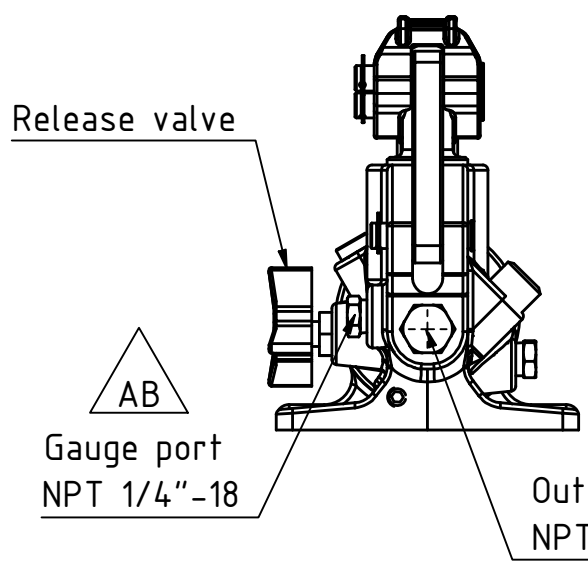


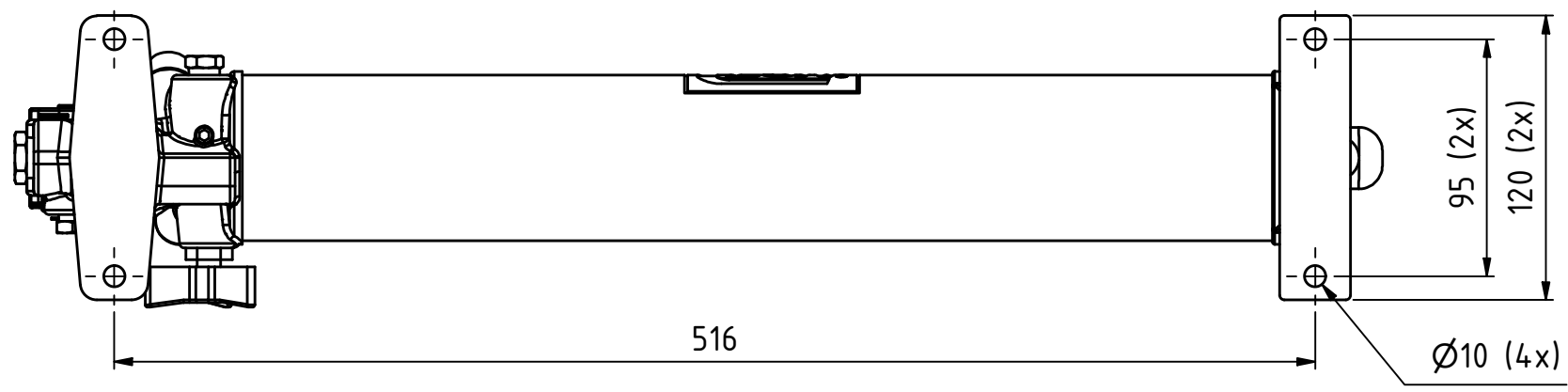
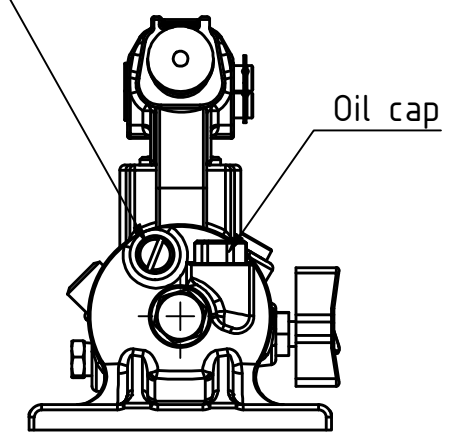
This document must not be copied, either completely or in part, without permission. Any infringement will have legal consequences ©



1 : 5



Automatic venting valve



Product No.	199590710
Max WP Connected:	70 MPa
Oil tank capacity:	1000 (61,02) cm ³ (in ³)
Usable oil capacity:	800 (48,81) cm ³ (in ³)
Volume per stroke:	High - 2,47 cm ³
	Low - 20,9 cm ³
Piston stroke:	26 mm
Max handle effort:	35 (77,16) kg (Ib)
Weight:	5,3 (11,7) kg (Ib)



Scale	1 : 3	Drawn	CABNiHa	Checked	AO	Appr.	MRO	ECO	Date	2023-03-20
Drawing No.								Issue		Sheet
Assembly Drawing								509590710		AB 1/(1)

