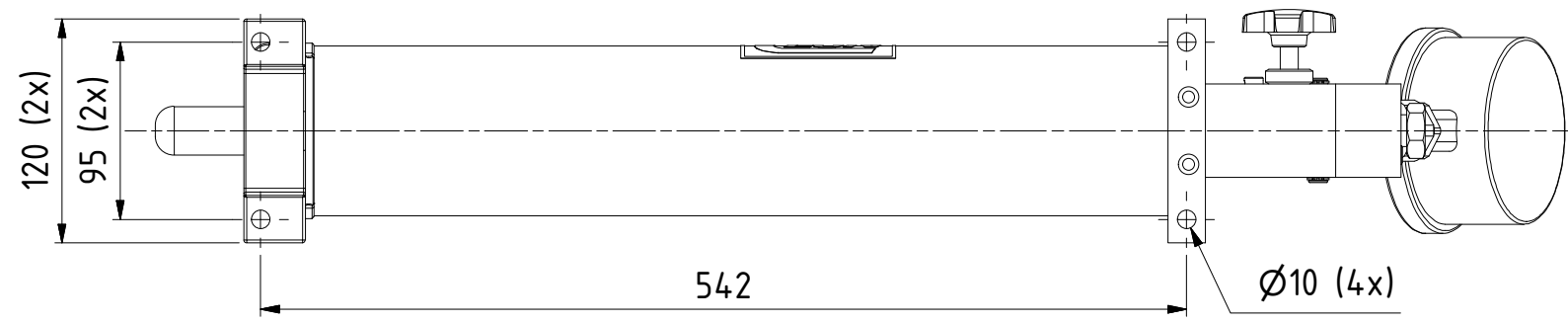
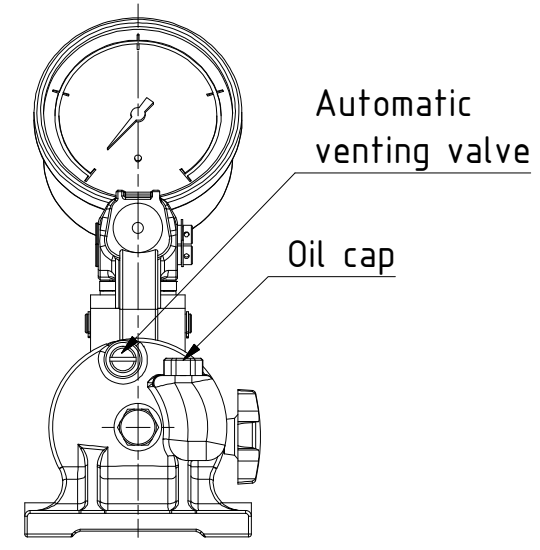
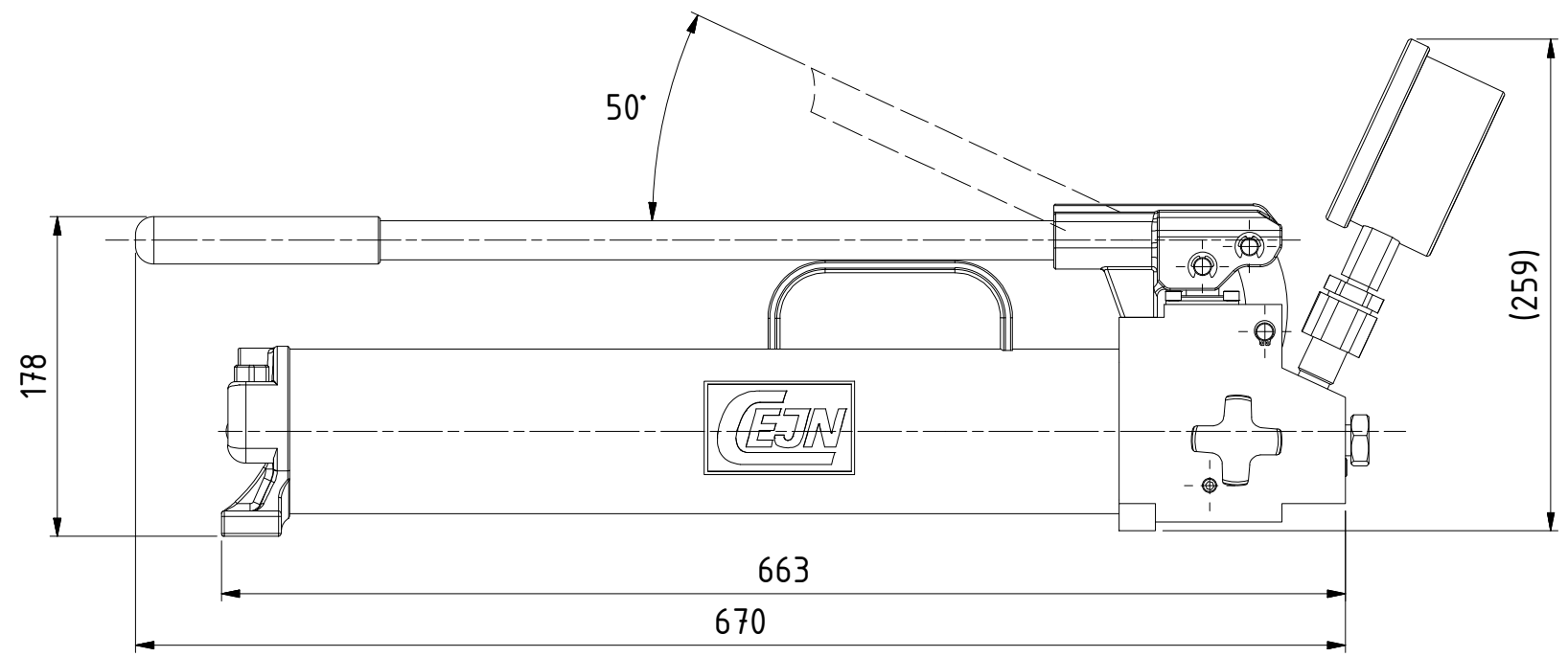
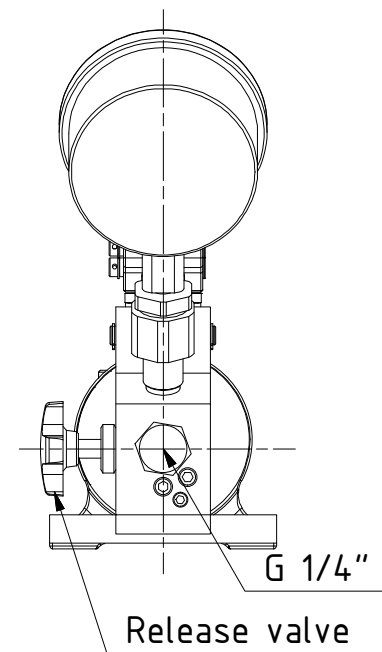


This document must not be copied, either completely or in part, without permission. Any infringement will have legal consequences ©

A3



1 : 5



Product No.	199591812
Max WP Connected:	180 MPa
Oil tank capacity:	2000 (122,1) cm ³ (in ³)
Usable oil capacity:	1700 (103,7) cm ³ (in ³)
Volume per stroke:	High - 0,8 cm ³ /mm Low - 20 cm ³ /mm
Piston stroke:	26 mm
Max handle effort:	33,9 (74,74) kg (Ib)
Weight:	7,7 (16,98) kg (Ib)



Scale	1 : 4	Drawn	CABANLA	Checked	EP	Appr.	JW	ECO	12068	Date	2018-05-17		
Drawing No.								509591812		Issue	AA	Sheet	1 / (1)

Assembly Drawing 509591812